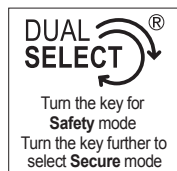


# 8654 Hinged Security Screen Door Lock

The Lockwood 8654 Hinge Security Door Lock has been designed in Australia and manufactured to stringent quality specifications. The range has been tested in accordance with AS4145.2-2008, offering exceptional performance and reliability. Incorporating Lockwood's advanced safety and security feature, DualSelect®, the 8654 Hinge Security Door Lock is ideal for use in residential applications.

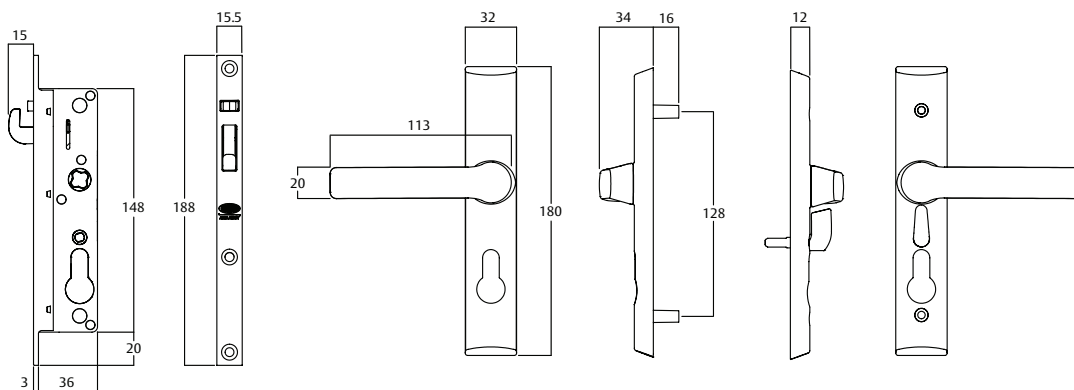
## Features and Specifications

- 2 stage key locking, offers safety and security for all occupants by giving a choice of selecting safety mode or secure mode when exiting the home
- Turning the key to the first selection engages the safety lock, this offers security from the outside whilst allowing occupants inside to safely exit using the internal lever and snib
- Turning the key to the second selection engages the secure lock, this provides internal and external security, and requires the key to unlock the door from inside and outside



### Note:

Safety mode: (Privacy-lock / Snibbed)  
Secure mode: (Deadlock)



# 8654 Hinged Security Screen Door Lock



ASSA ABLOY

## Features and Specifications (Continued)

This high performance lock meets or exceeds the requirements of Australian Standard AS 4145.2 – 2008: Locksets and Hardware for Doors and Windows Part 2: Mechanical Locksets for Doors and Windows in Buildings, to Level S6 and D7. Successfully tested on security screen doors in accordance with Australian Standard AS 5039 - 2008: Security Screen Doors and Security Window Grilles and AS 5041-2003: Methods of Test.

- Suits left or right hand opening doors
- Stainless steel hookbolt for increased security
- Key locking from both sides
- Inside snib locking (with key override)
- Large ergonomically improved snib to assist with operation
- Snib only version also available
- No snib version also available
- Stainless steel front end plates
- Self latching with stainless steel hook deadbolt for improved security performance
- Can only be locked when fully engaged with strike
- Optional 3 point kits available for premium security
- When 3 point kit is fitted, snib activates/operates all 3 locking points
- Push on actuating bar suits above or below centreline applications
- Available in a range of polyester powdercoat and plated finishes
- Fits industry standard cut outs/door preparation
- Retrofits Whitco Tasman Mk2 and Mk3 Locks
- Zinc diecast lock mechanism and furniture
- Easy installation for both new and retrofit applications
- Accepts Lockwood Euro profile lazy cam cylinder
- Suit standard 20mm door thickness
- Available in display and trade packs

## Application

Single or multi point mortice hinge security door lock available in high strength (3 point) and standard versions. Snib only and no snib mortice locksets are also available.

Order Code	Product Description
8654BLK	Single point lock set no cylinder - Black
8654BRN	Single point lock set no cylinder - Brown
8654CP	Single point lock set no cylinder - Chrome Plate
8654EVB	Single point lock set no cylinder - Everbrass (Gold Plate)
8654GSP	Single point lock set no cylinder - Gold Spangle
8654MAG	Single point lock set no cylinder - Magnolia
8654PRM	Single point lock set no cylinder - Primrose
8654SP	Single point lock set no cylinder - Satin Chrome Pearl
8654STB	Single point lock set no cylinder - Stone Beige
8654WH	Single point lock set no cylinder - White
8654WHB	Single point lock set no cylinder - White Birch
8654SOBLK	Single point lock set snib only - Black
8654NSBLK	Single point lock set no cylinder, no snib - Black
8654EWSBLK	Single point lock set no cylinder, extra wide strike - Black
8654BLKDP	Single point lock set with cylinder - Black (Display Pack)
8654 - 3PK	Standard 3 point kit
8654 - 3PK/HS	High security 3 point kit

**Note:** Lockset includes furniture, snib, strike, installation instructions and screw packs.

## Keying

- Use with Lockwood Euro profile lazy cam cylinder - with Kinetic Defence™ and Anti-Drill
- 2 x 5 pin cylinder
- Can be keyed alike to other Lockwood C4 door and window products

## Standard Finishes

### Polyester powdercoat

- Black
- Brown
- Gold Spangle
- Magnolia
- Primrose
- White
- White Birch

### Plated

- Chrome Plate
- Satin Chrome Pearl
- Everbrass (Gold Plate)

## Accessories

- Standard multi point kit
- High strength multi point kit